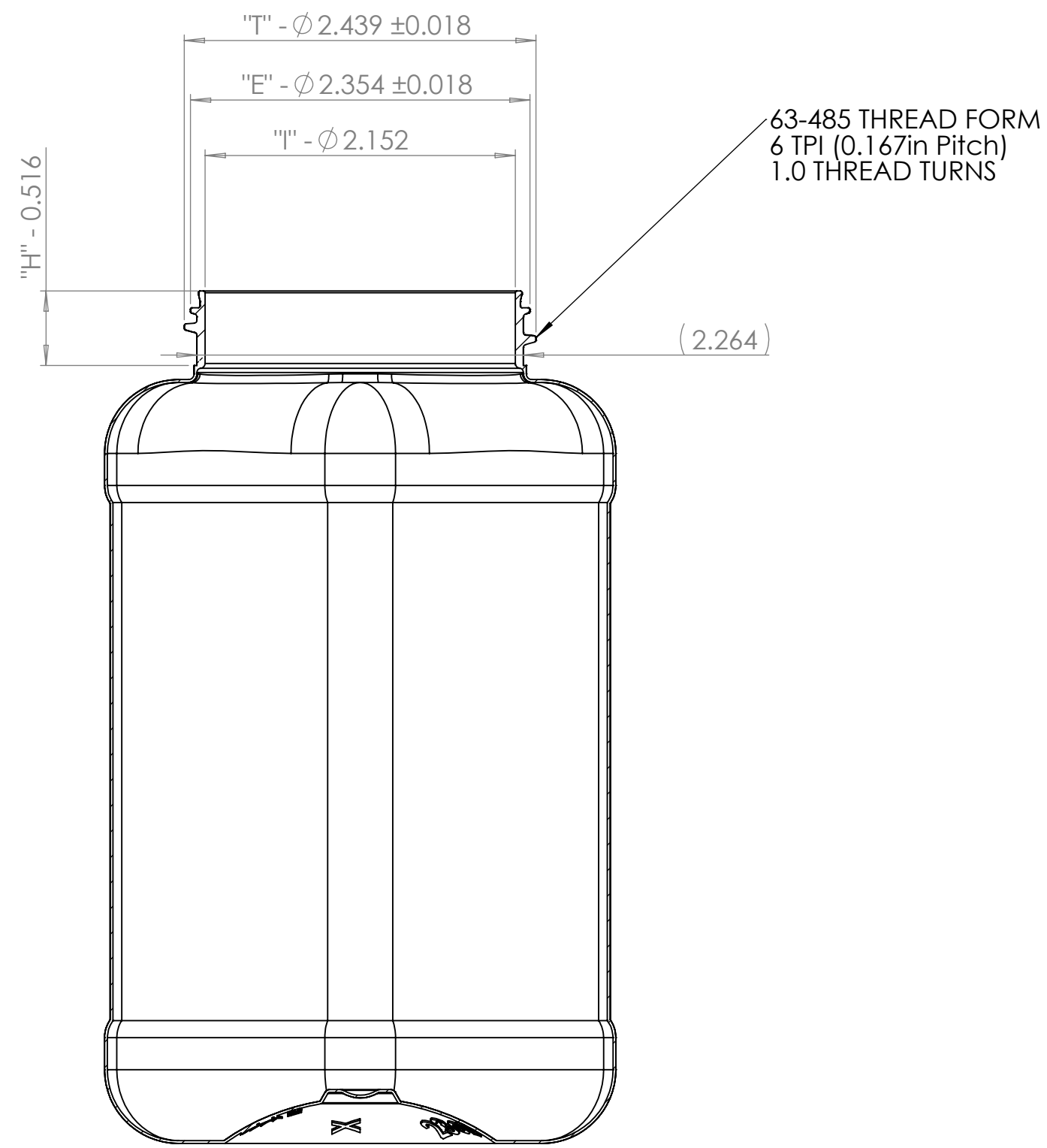
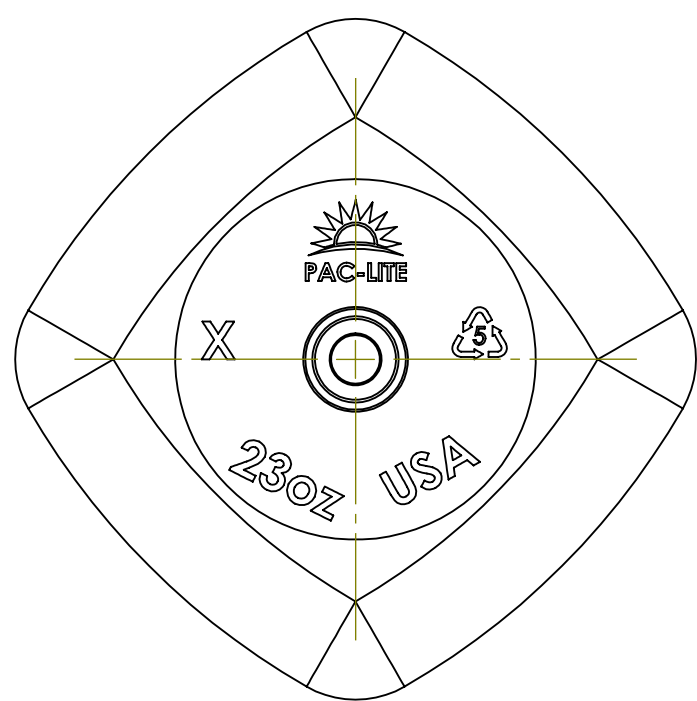
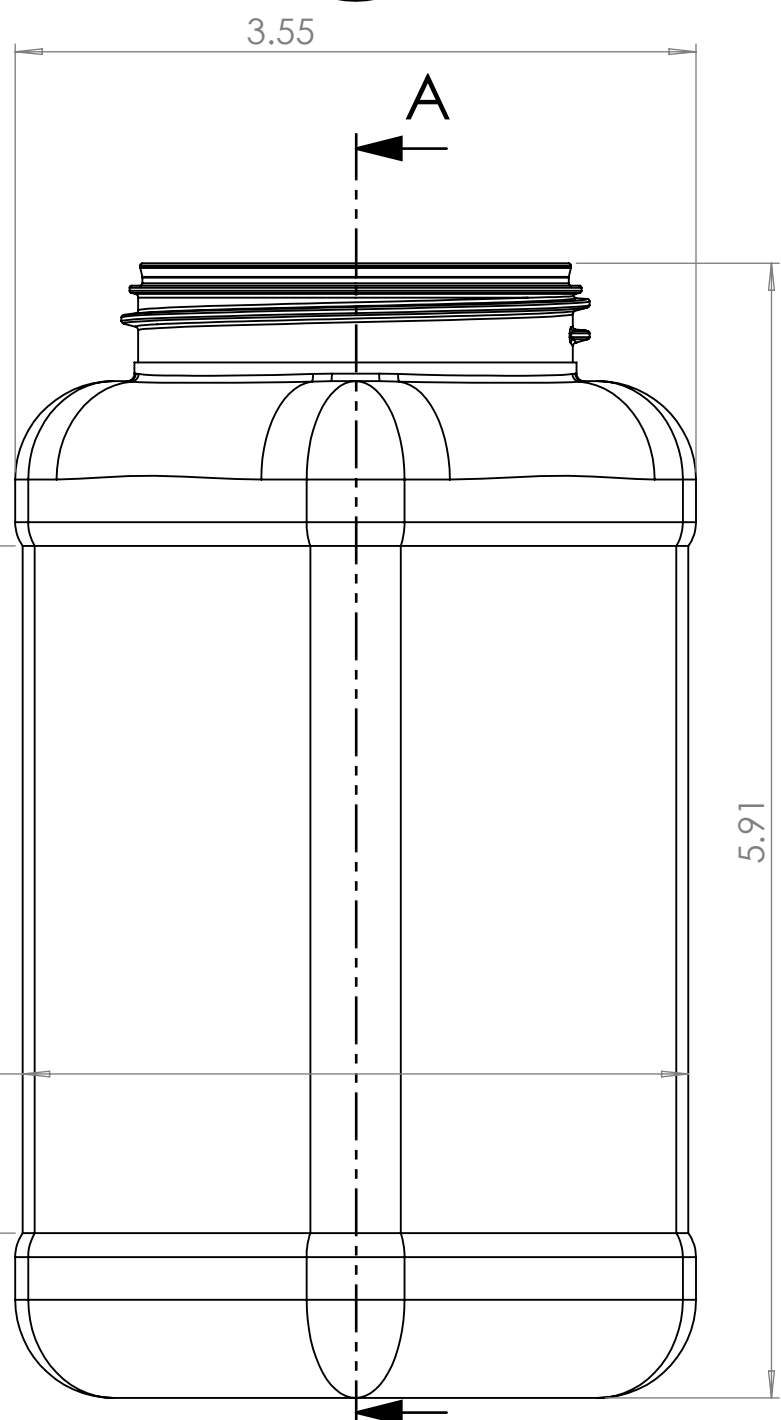
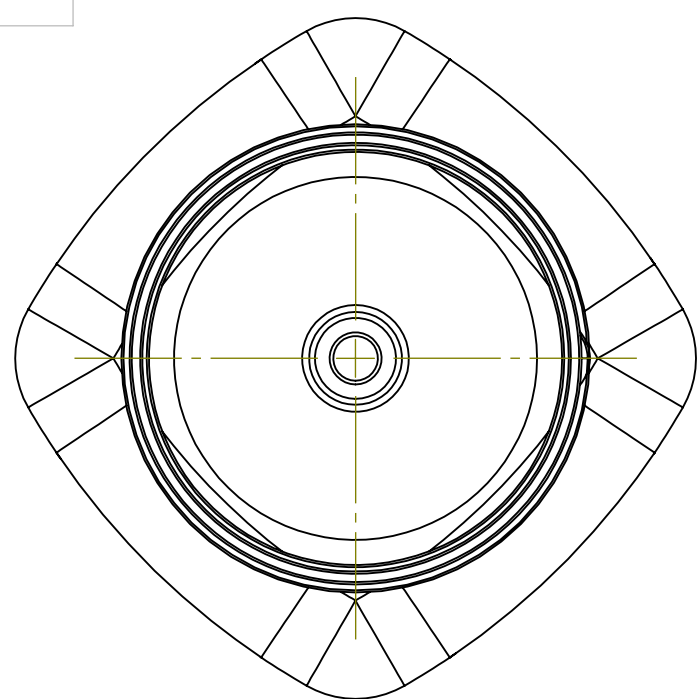
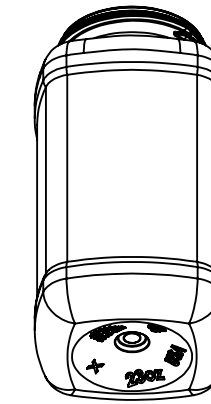
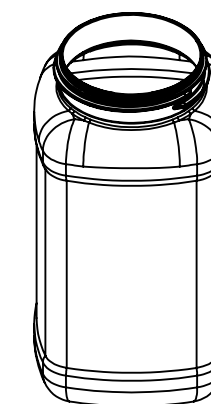


REV	DATE	DESCRIPTION
0	11/20/2025	DRAWING CREATED
1	04/06/2026	REV ADDED LABEL DIMS



SECTION A-A



PROPRIETARY AND CONFIDENTIAL
 THE INFORMATION CONTAINED IN THIS DRAWING IS THE SOLE PROPERTY OF PHARMACY-LITE. ANY REPRODUCTION IN PART OR AS A WHOLE WITHOUT THE WRITTEN PERMISSION OF PHARMACY-LITE IS PROHIBITED.

UNLESS OTHERWISE SPECIFIED:		NAME	DATE	PAC-LITE	
DIMENSIONS ARE IN INCHES		DRAWN	BC	11/20/25	250 Warden Ave., Elyria, OH 44035
TOLERANCES:		CHECKED			844-527-5483
FRACTIONAL ± 1/32		ENG APPR.			TITLE:
ANGULAR: MACH ± 0.1°		MFG APPR.			SPICE JAR - 23oz SQUARE
BEND ± 2.5°		Q.A.			SIZE DWG. NO.
TWO PLACE DECIMAL ± 0.015		COMMENTS:	CUSTOMER DRAWING		REV
THREE PLACE DECIMAL ± 0.005					1
INTERPRET GEOMETRIC TOLERANCING PER:					SCALE: 1:1 WEIGHT:
MATERIAL					SHEET 1 OF 1
POLYPROPYLENE					
FINISH					
NEXT ASSY	USED ON				
APPLICATION					
DO NOT SCALE DRAWING					